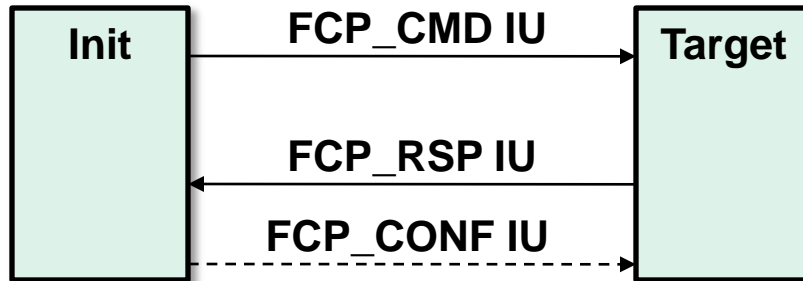
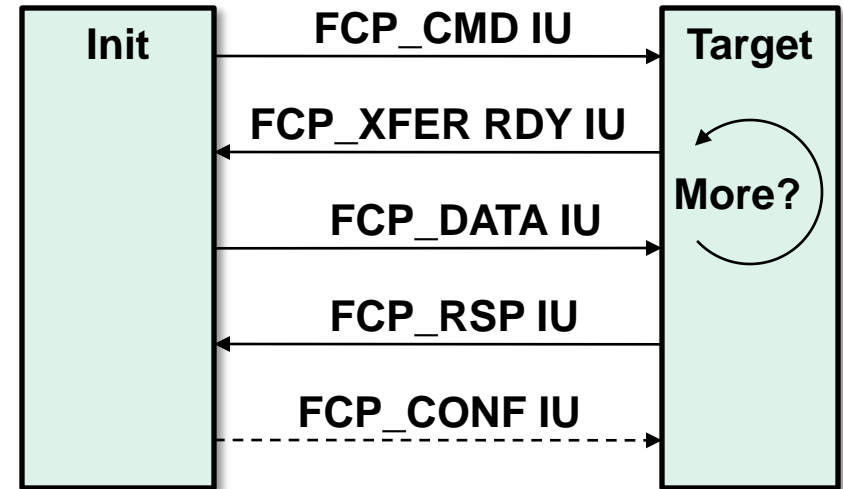


SCSI Command Types

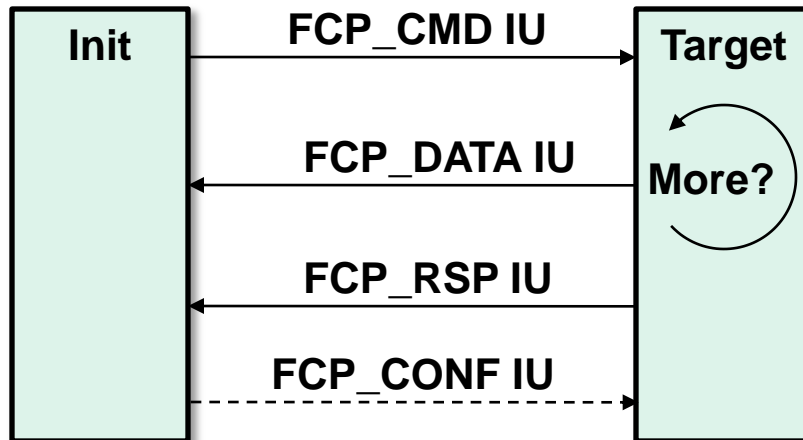
Control Command



Write Command



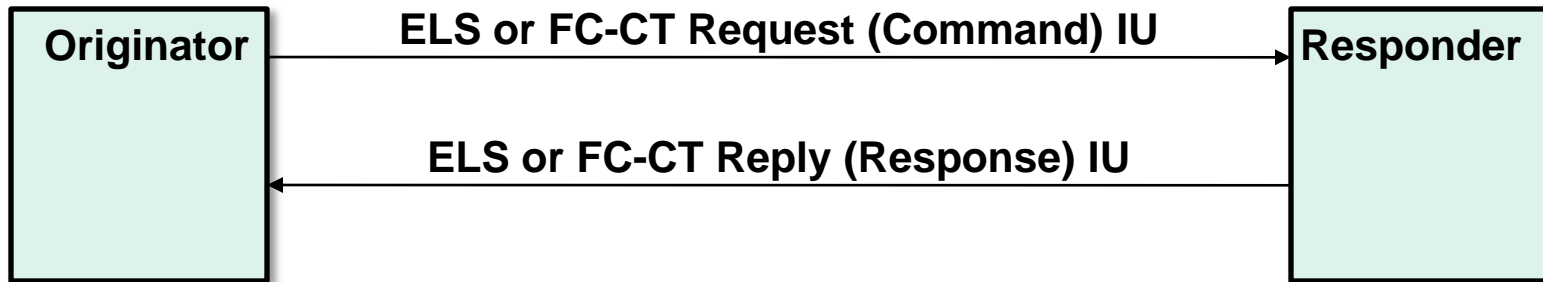
Read Command



Notes:

- Each Command = FC Exchange
- Each IU = FC Sequence
- Target may break data transfer into multiple segments
- All Sequences except FCP_DATA are single frame

ELS and FC-CT Commands



Notes:

- Each ELS or FC-CT Command = FC Exchange
- Each IU = FC Sequence
- Sequences are usually, but not always single frame